



MAXSAFE[®]

USER INSTRUCTION MANUAL

FLANGE ANCHORS

THESE INSTRUCTIONS APPLY TO THE FOLLOWING MODELS:

MAFSS42-12, MAFSS41

USER MUST READ AND UNDERSTAND INSTRUCTIONS PRIOR TO USE

INTRODUCTION

MAXSAFE® are the producers and suppliers of Products, Training and Services for the height safety industry and working at heights. This instruction manual has been designed to assist all users in the prevention of accidents and to make good, informed choices.

The registered offices of Maximum Safety NZ Ltd are located at:
46 Vickerman Street, Port Nelson, Nelson 7010, New Zealand.
PO Box 697, Nelson 7040, New Zealand.
Telephone: 0800 262 972. Email: sales@maxsafe.co.nz

CONTENTS

Section	Subject	Page
	General User Warning	1
1	General Requirements, Warnings and Limitations	2
2	Performance and Limitations of Use	3
3	Instructions For Use	3
4	Advice and Information	4
5	Markings	4
6	Instructions for Maintenance	5
7	Others - Inspection, Cleaning, Compatibility, Storage, Damaged Product & Withdrawal from Use, Periodic Examination	5
8	Inspection & Maintenance Log	6



WARNING

DO NOT SKIP THIS INSTRUCTION MANUAL. READ THE INSTRUCTION MANUAL CAREFULLY BEFORE USING THE EQUIPMENT. FAILURE TO DO SO MAY CAUSE SERIOUS INJURY OR DEATH.

This manual must be read and understood in its entirety and used as part of the User's fall protection training program as required by AS/NZS. These instructions are intended to meet the manufacturer's instructions as required by AS/NZS 1891. The user must fully understand the proper equipment use and limitations.

This product is part of a personal restraint, work positioning, suspension, or rescue system. The user must read and follow the manufacturer's instructions for each component or part of a complete system. These instructions must be provided to the user of this equipment. The user must read and understand these instructions or have them explained to them before using this equipment. Manufacturer's instructions must be followed for proper use and maintenance of this product. Alterations or misuse of this product or failure to follow instructions may result in serious injury or death.

1. GENERAL REQUIREMENTS, WARNINGS AND LIMITATIONS:

- This equipment is designed for use as a part of a personal fall protection system. Components must not be used for any other operation other than that for which it has been designed and approved. Fall Arrest Systems are designed to comply with AS/NZS standards. Fall Restraint Systems must be designed by a Qualified Competent Person, and must be installed and used under the supervision of a Competent Person.
- All authorized persons/users must refer to the regulations governing occupational safety, as well as applicable AS/NZS standards. Please refer to product labeling for information on specific regulations, and AS/NZS standards met by the product.
- Proper precautions should always be taken to remove any obstructions, debris, material, or other recognized hazards from the work area that could cause injuries or interfere with the operation of the system. All equipment must be inspected before each use according to the manufacturer's instructions. All equipment should be inspected by a Qualified Competent Person on a regular basis as required by legislative controls.
- To minimize the potential for accidental disengagement, a competent person must ensure system compatibility.
- Equipment must not be altered in any way. Repairs must be performed only by the Manufacturer, or persons or entities authorized in writing by the Manufacturer.
- Any product exhibiting deformities, unusual wear, or deterioration must be immediately discarded. Any equipment subject to a fall must be removed from service.
- The authorized person/user shall have a rescue plan and the means at hand to implement it when using this equipment.
- Never use fall protection equipment for purposes other than those for which it was designed. Fall protection equipment should never be used for towing or hoisting.
- All synthetic material must be protected from slag, hot sparks, open flames, or other heat sources. The use of heat resistant materials is recommended in these applications.
- Never use natural materials (manila, cotton, etc.) as part of a fall protection system.
- Do not expose this equipment to chemicals which may have a harmful effect on the materials used to construct it. Be especially aware of caustic environments, or those that contain high levels of organic acids or bases. If you are uncertain about the safe operation of this equipment in any environment, contact MAXSAFE® for further instructions.
- Do not use this equipment near sharp edges and abrasive surfaces.
- Do not use this equipment around moving machinery or electrical hazards.

MAXSAFE® FLANGE ANCHOR should be used only with the combinations of components, sub-systems or both which will not affect or interfere with the safe function of one another. Be certain that connecting devices and other elements of the PFAS are safe to use and compatible before use. Contact MAXSAFE® for further instructions.

2. PERFORMANCE AND LIMITATIONS OF USE:

These Flange Anchor is designed to minimise the risk of/provide protection against the danger of falling from heights. However, always remember that no item of PPE can provide full protection and care must always be taken while carrying out risk related activities.

These Flange Anchors are classed as Personnel Protective Equipment (PPE) by the European PPE Directive 89/686/EEC and have been shown to comply with this Directive through the Harmonized European Standard EN 795: 2012.

These Flange Anchors have been tested in accordance with EN 795: 2012 and have achieved the following performance levels:

EN 795:2012 TEST	RESULT/COMMENT
General Requirements for Anchor Devices (Clause 4.1)	(PASS). No sharp edges. (PASS).
Static Strength (Clause 4.4.2.3)	Sustained a force of 12kN for 3 minutes. (PASS).
Dynamic Strength (Clause 4.4.2.2)	When tested with rigid steel mass of 100kg, the test mass held after test with the device remaining stable throughout. (PASS).
Corrosive Resistance (Clause 4.2.2.1)	No corrosion evident after 48 hours of salt spray testing. (PASS).

FIG. 1: MAFSS41

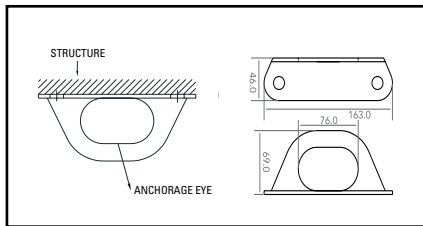
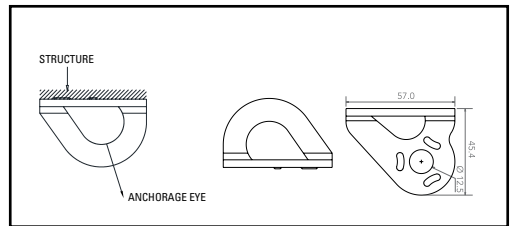


FIG. 2: MAFSS42-12

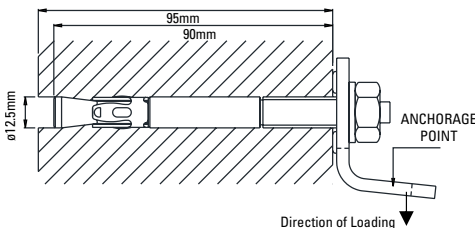


3. INSTRUCTIONS FOR USE:

Into Concrete

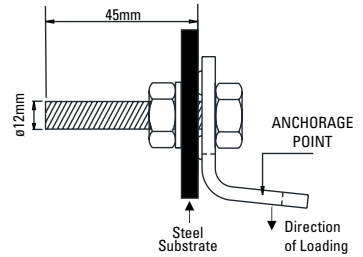
- MAFSS42-12 (x1 bolt) and MAFSS41 (x2 bolt) can be installed with a chemical or mechanical nut bolt fastener through the 12.5mm diameter pre-defined hole into the concrete. The hole depth must be 95mm (see Fig. 3). The bolt must be 90mm long.

FIG. 3

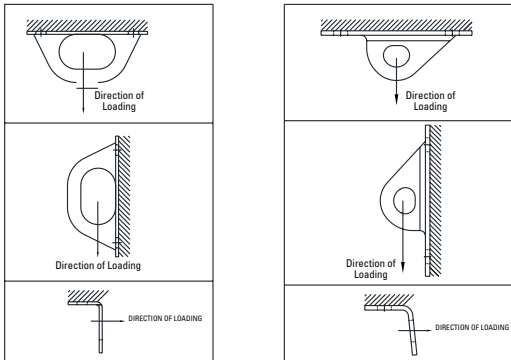


Through Steel

- MAFSS42-12 (x1 bolt) and MAFSS41 (x2 bolt) can be installed with a nut bolt fastener through the 12.5mm diameter hole of the anchor and through a pre-defined 12mm hole in the steel beam (minimum width of 1.5mm).
- Insert the Flange Anchor and bolts followed by the washer and tighten the nut securely to the fullest.
- Use only an M12 stainless steel bolt and a Nylock nut.

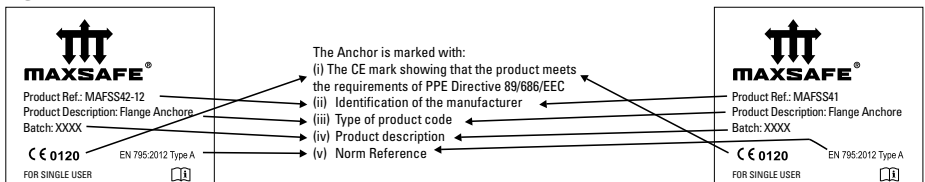
FIG. 4


Similarly, Big Flange Anchor (MAFSS42-12) can also be installed in the same manner as mentioned above.

FIG. 5 - DIRECTION OF LOADING

4. ADVICE & INFORMATION:

- 1 It should be the personal property of its user.
- 2 It should not be used in a highly acid or basic environment.
- 3 The anchor has been tested to EN 795: 2012 and is appropriate only for single person use with an energy absorber as per EN 355: 2002 that is rated to user mass up to 140Kg.
- 4 Ensure that the structure on to which the anchor is fitted is strong enough to withstand a load of 20kN.
- 5 Ensure that the Anchor is installed directly above the user's head.
- 6 Ensure that the equipment is compatible with other items when assembled into a system.
- 7 It is essential to verify the free space required beneath the user at the work place before each occasion of use so that in case of a fall there will be no collision with the ground or other obstacles in the fall path.
- 8 It is essential for the safety of the user that if the product is resold outside the original country of destination, the reseller shall provide instruction for use, for maintenance, for periodic examination and for repair in the language of the country in which the product is to be used.

5. MARKINGS The Flange Anchor is marked with the following (refer to Fig. 4):

FIG. 4


6. INSTRUCTIONS FOR MAINTENANCE:

- Proper maintenance of the equipment is essential for its successful performance.
- Regular cleaning is essential. In case of minor soiling, wipe with cotton cloth or soft brush.
- Do not use abrasive material. For intensive cleaning, it can be washed with water using neutral detergents.
- Do not use acid or basic detergents.
- Strictly follow the cleaning procedure as mentioned.
- If the fall arrest becomes wet, it should be allowed to dry naturally and kept away from direct heat.
- Store in a cool dry place. Avoid humid and acidic environment for storage.

LIFESPAN:

The expected lifespan of the Flange Anchor is five years but inspection before each use is compulsory. The lifespan greatly depends upon the conditions of usage of the product.

7. OTHERS:

INSPECTION

Visually inspect the system before each use to ensure that it is in a serviceable condition and is operating correctly. If during inspection, doubts are raised about the safety of the system or a component, these should be replaced either by the manufacturer or a competent person.

CLEANING

Cleaning after use is important for maintaining the safety and longevity of the product. Remove all dirt, corrosives, and contaminants from the product before and after each use. If the product cannot be cleaned with plain water, use mild soap and water, then rinse and wipe dry. NEVER clean the product with corrosive substances.

COMPATIBILITY

To optimize protection, in some instance it may be necessary to use the product with suitable boots/gloves/helmet or earmuffs. In this case, before carrying out the risk-related activity, consult your supplier to ensure that all your protective products are compatible and suitable for your application.

STORAGE

When not in use, store the product away where it will not be affected by heat, light, excessive moisture, or other degrading elements and away from heavily acidic or chemically hazardous environments. Never place heavy items on top of it.

DAMAGED PRODUCT & WITHDRAWAL FROM USE

- If the product becomes damaged it will not provide the optimum protection and therefore should be immediately replaced. Withdraw it from use. Never use damaged products.
- If the system has been used to arrest a fall, it should be removed from service immediately and destroyed.

PERIODIC EXAMINATION

- It is important to conduct regular periodic examination of the product because the safety of the user depends upon the continued efficiency and durability of the product.
- The frequency of examination should be at least once in a year. However, it can be more than once if legislation requires, or frequency of use is high or environmental conditions have an adverse affect on it (eg. excessive rain, sea side environment, excessive heat etc).
- It is emphasized that the examination be conducted only by a competent person and strictly in accordance with the manufacturer's periodic examination procedures.
- It is also advised the competent person be correctly trained and authorized by the manufacturer.
- Ensure that all markings on the product are legible and can be clearly read.
- It is the responsibility of the User to keep the Inspection & Maintenance Log up-to-date (refer to Back Cover).

8. INSPECTION AND MAINTENANCE LOG

SERIAL NUMBER:	
MODEL NUMBER:	
DATE PURCHASED:	DATE OF FIRST USE:

INSPECTION DATE	INSPECTIONS ITEMS NOTED	CORRECTIVE ACTION	MAINTENANCE PERFORMED
Approved by:			
Approved by:			
Approved by:			
Approved by:			
Approved by:			
Approved by:			
Approved by:			
Approved by:			
Approved by:			
Approved by:			
Approved by:			
Approved by:			
Approved by:			
Approved by:			
Approved by:			
Approved by:			
Approved by:			
Approved by:			
Approved by:			
Approved by:			
Approved by:			
Approved by:			



Maximum Safety NZ Ltd - PO Box 697, Nelson 7040,
New Zealand Phone: 0800 262 972
www.maxsafe.co.nz