

### 3. Specifications

The Snorkelift MHP12/34J is a boom supported elevating work platform built to conform to all applicable OSHA, ANSI or CSA standards as previously outlined.

OSHA Paragraph 1910.67 Title 29, C.F.R., Vehicle-Mounted Elevating and Rotating Work Platforms - Labour.

OSHA Paragraph 1926.556 Title 29, C.F.R., Aerial Lifts - Construction.

Australian Standard AS1418-10 1996 Elevating Work Platforms.

#### ■ General Specifications

SPECIFICATIONS	MHP12/34J	
Nominal working height	12.4m	40' 8"
Maximum height to basket floor	10.4m	34' 1"
Maximum outreach	5.4m	17' 9"
Maximum outreach height	5.65m	18' 6"
Maximum width of base		
Outriggers retracted	1.55m	5' 1"
Outriggers extended	3.50m	11' 5"
Safe working load (unrestricted)	200kg	440lbs
Standard colour	Orange base/boom grey platform	
Platform size	1200 x 760 x 1100mm	4' x 2' 6" x 3' 7"
	Aluminum	Aluminum
Travelling height	2.04m	6' 8"
Overall length	5.71m	18' 8"
Maximum towing speed	80km/h	50m/h
Turntable rotation	550 degrees non-continuous	
Trailer tongue weight	75kg	165lbs
Maximum rated axle capacity	1200kg	2645lbs
Insulation rating	Nil	
Weight	1160kg	2609lbs

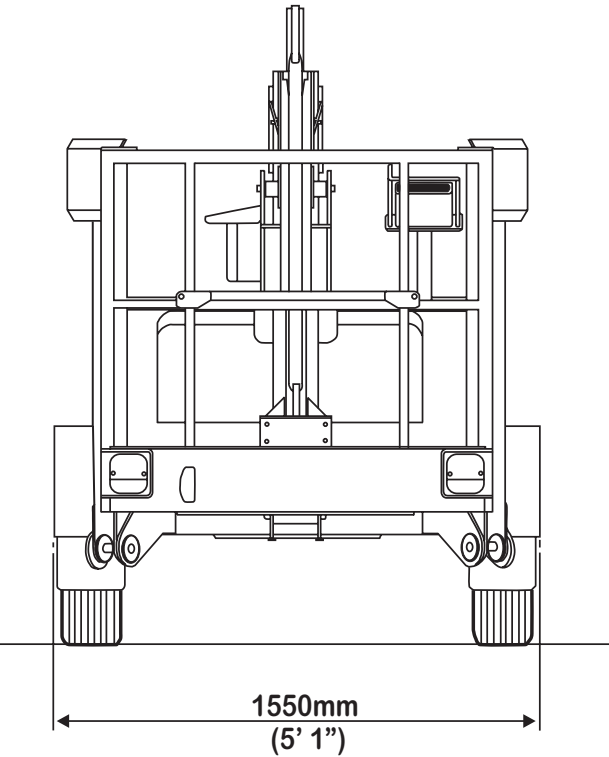
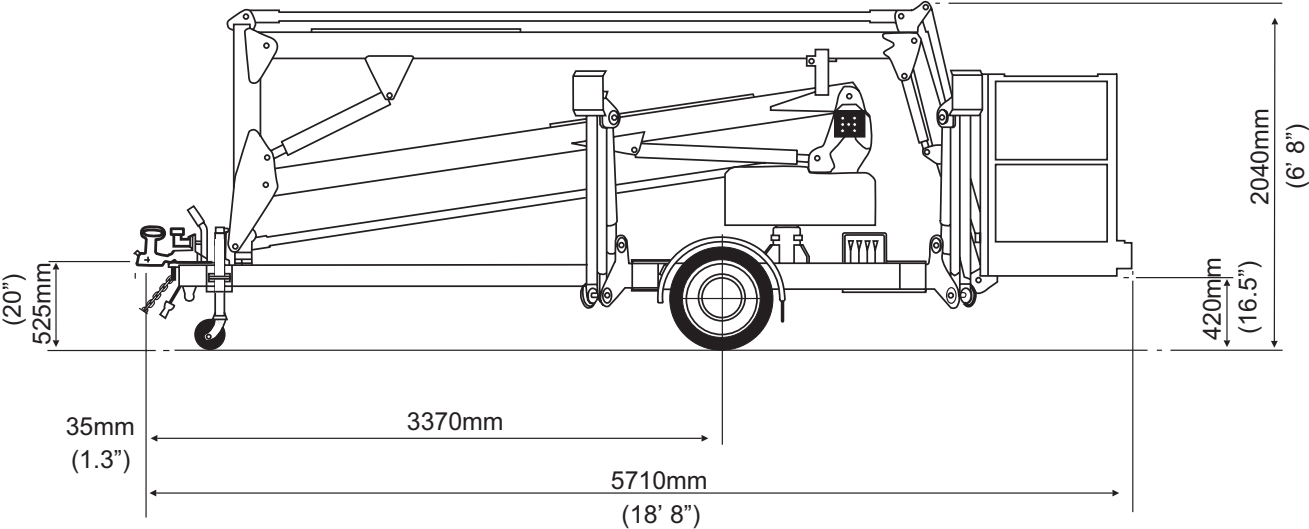
### 3. Specifications

---

#### ■ Engine Data

Engine Make	Honda (gasoline)
Model	GX 160
Engine type	4-stroke, over head valve, 1 cylinder
Displacement	163 cm <sup>3</sup> (9.9 cu-in)
Bore x Stroke	68 x 45 mm (2.7 x 1.8 in)
Max. output	4 kW/4,000 rpm
Max. torque	1.1 kg-m (8.0 ft-lb)/ 2500 rpm
Fuel	gasoline
Fuel Grade	automotive gasoline (unleaded or lowleaded preferred)
Fuel consumption	230 g/PSh
Cooling system	Forced air
Ignition system	Transistor magneto
PTO shaft rotation	Counterclockwise
Oil Capacity	0.60 litres (0.60 US qt, 0.53 Imp qt)
Oil Grade	SAE 10W-30

■ Overall Dimensions - MPH12/34J



### 3. Specifications

#### ■ Working Envelope - MHP12/34J

