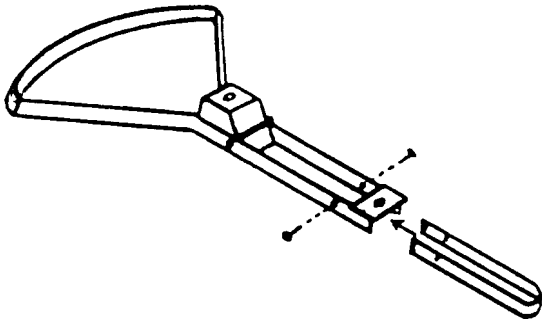
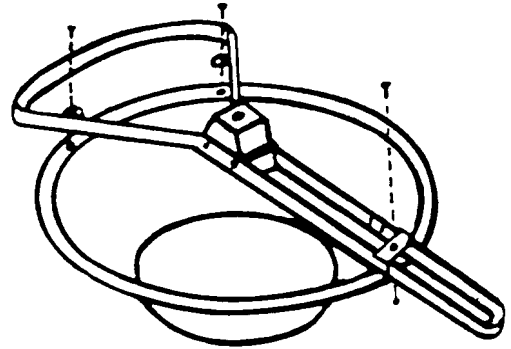


TALISMAN

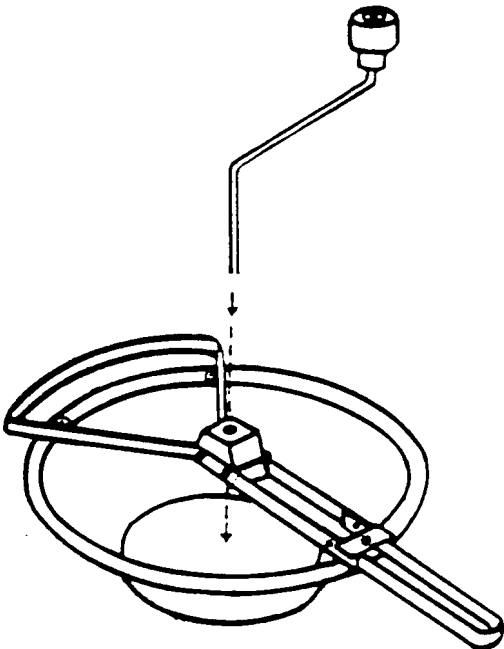
Sieve Assembly Instructions



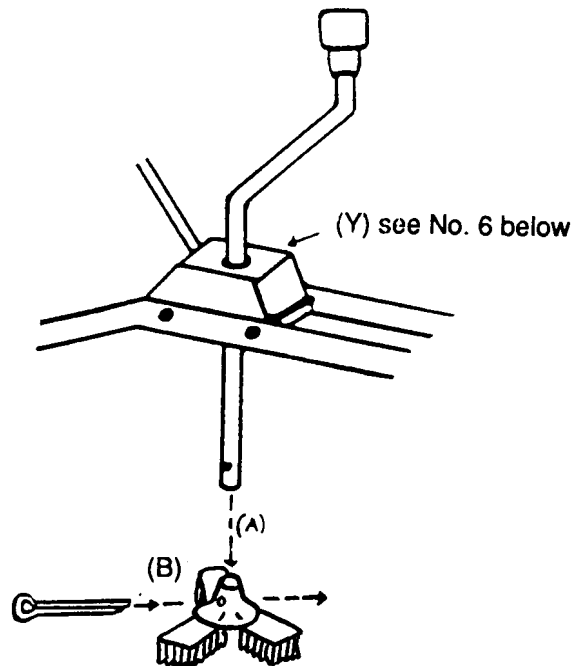
1. Insert the long U-shaped handle into the top brace and install a slotted screw ($3/8"$ x $3/16"$) and washer.



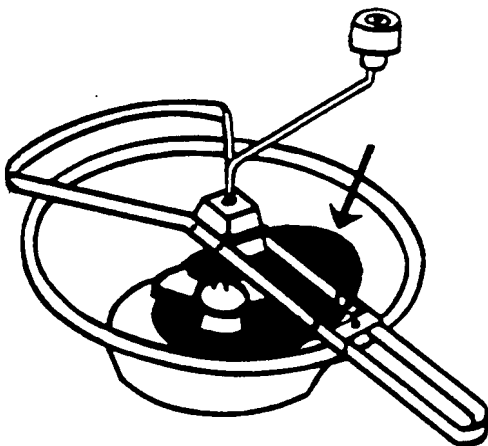
2. Mount the completed brace on top of the sieve, being sure to line up the screw holes. Use the long screw at the handle end of the other two short screws ($1/2"$ x $2/16"$) at the opposite end.



3. Insert hand crank through the bushing.



4. (a) Insert brush assembly onto handle shaft and line up the cotter pin holes.
(b) Insert cotter pin and spread the ends.



5. Put the sieve on a flat surface and install the screen by pressing into bottom of sieve.

6. If necessary centre brush unit onto screen by loosening Brush Unit Block (Y) tilting slightly and doing up tight again.